

think process!



JACK

Manual loading system

JACK

EASY TO LOAD WITH JACK, THE MANUAL LOADER

The Matador® MDE makes your life easier with JACK, the optional manual loader. Loading at convenient working height, easy lifting to the desired oven height, inserting the setter and setting by hand. And unloading is equally simple.

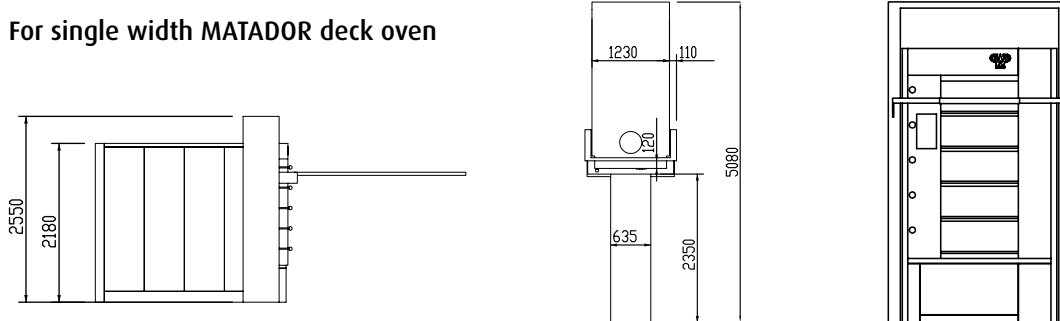
**MANUAL
LOADING SYSTEM FOR
LOADING AND UNLOADING
OF DECK OVENS**



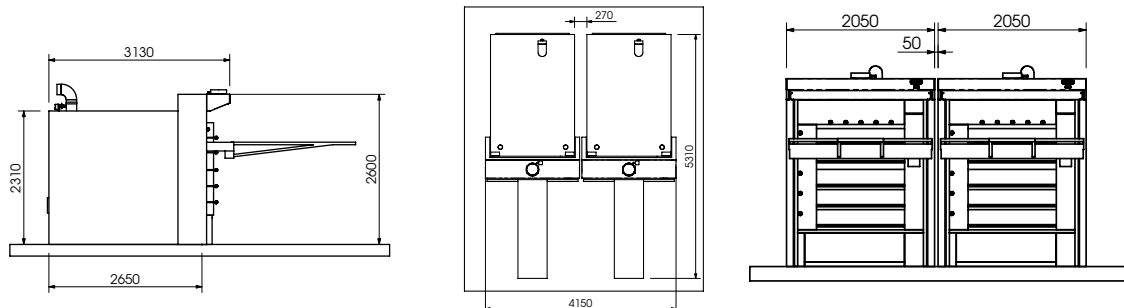
BENEFITS

- Reduced workload
 - relief of staff from heavy physical work
 - time savings
- Simple operation
- Optimum utilization of oven capacity
 - energy saving
 - increased productivity
- Maximum safety standards

For single width MATADOR deck oven



For double width MATADOR deck oven



WERNER & PFLEIDERER LEBENSMITTELTECHNIK GMBH

von-Raumer-Str. 8-18 // D-91550 Dinkelsbühl // Phone +49 9851-905-0 // Fax +49 9851-9058-342 //
info@wp-l.de // www.wp-l.de // www.wpbakerygroup.com